



Ordering Data

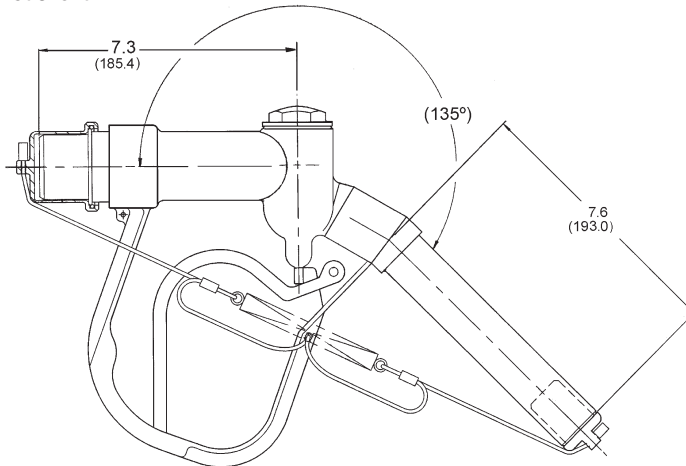
Model	Description
64014	Standard GFA in accordance with MIL-N-52748D, meets tan color requirements
64014G	Standard GFA in accordance with MIL-N-52748D, meets green color requirements
64033	Arctic GFA in accordance with MIL-N-53093, green color

Eaton offers two versions of the Carter brand gravity filling adapter (GFA) for use with closed circuit refueling nozzles (CCRs). Model 64014 (per MIL-N-52748) is for standard temperature applications. Model 64033 (per MIL-N-53093), is for arctic temperature use. The two units vary only in color (tan - standard, green - arctic) and the presence of a special, over-the-top, "arctic glove" capable operating handle on Model 64033.

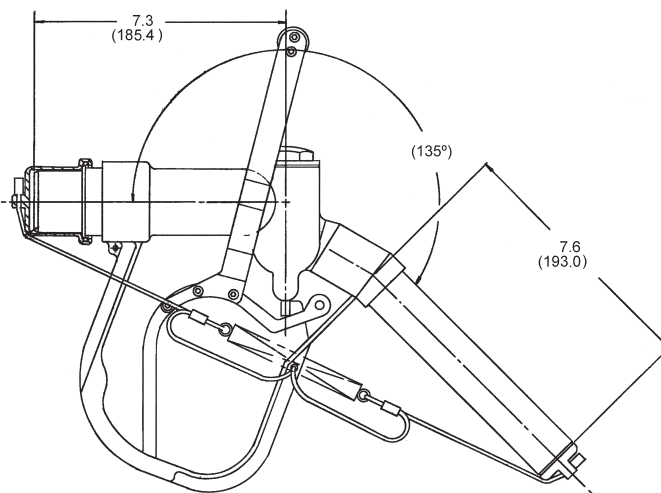
Envelope Dimensions

Dimensions shown in inches (millimeters)

Model 64014



Model 64033



Technical Information

- Temperatures:
-65°F to +140°F
(-53.88°C to +60°C)
- Inlet mates to any CCR nozzle
- Outlet — spout for overwing filling
- Color — Tan standard (Model 64014), green standard on arctic unit (Model 64033) and optional on Model 64014G
- Weight:
64014 - 3.2 lbs (1.451 kg)
64033 - 4.1 lbs (1.860 kg)
- Proof pressure:
150 psi (10.342 bar)



Powering Business Worldwide

