

Carter® Ground Fueling
HIFR Refueling Nozzle

Model 64048



Powering Business Worldwide

Design Concepts

Eaton's Carter brand Model 64048 pressure fueling nozzle is used for Helicopter In-Flight Refueling (HIRF) operations from US naval vessels. These nozzles are identical in appearance to US Army CCR nozzles but regulate pressure at 45 psig (3.102 bar) instead of 15 psig (1.034 bar) for the Army nozzles. This difference in pressure regulating settings is because US naval aircraft are designed to allow fueling at pressures up to 55 psig, while US Army aircraft are designed to allow fueling at either 15 psig (1.034 bar) or 55 psig (3.792), depending on the model. These nozzles are designed to connect to helicopters and perform hot refueling operations while hovering above ships. The nozzle is designed to connect to helicopters that have receptacles in accordance

with US Army drawing C13219E0479 or equivalent. The nozzles provide "tight fill" capability and limits system pressure. Positive interlock is provided.

Features

- Standard nozzles meet latest US Navy requirements in accordance with the Aircraft Refueling NATAOPS Manual, NAVAIR 00-80T-109 and Helicopter Procedures for Air Capable Ships, NAVAIR 00-80T-122
- Meets human engineering standards
- Positive interlock system — nozzle will not open unless connected and closes automatically when disconnected
- Lightweight and rugged construction
- Limits pressure to helicopter adapter to 45 psi (3.102 bar) regardless of inlet pressure
- Standard meets tan color requirements
- Standard Model 64048 meets Type I, Class A requirements, with 100-mesh strainer and 2 inch female camlock inlet
- Optional, Type I, Class B nozzle, comes with 100-mesh strainer, non-valved unisex coupling and dust cap (standard nozzle only)

Ordering Data

The basic Model 64048 is a Type I, Class A CCR nozzle that meets tan color requirement, with 2 inch female camlock inlet, 100-mesh strainer and 15 foot bonding cable. The nozzle may be ordered with various options by adding one or more of the letters as listed in the table below. Some options must be ordered, as noted, to achieve a complete unit.

The basic unit weighs 9.0 lbs (4.082 kg).

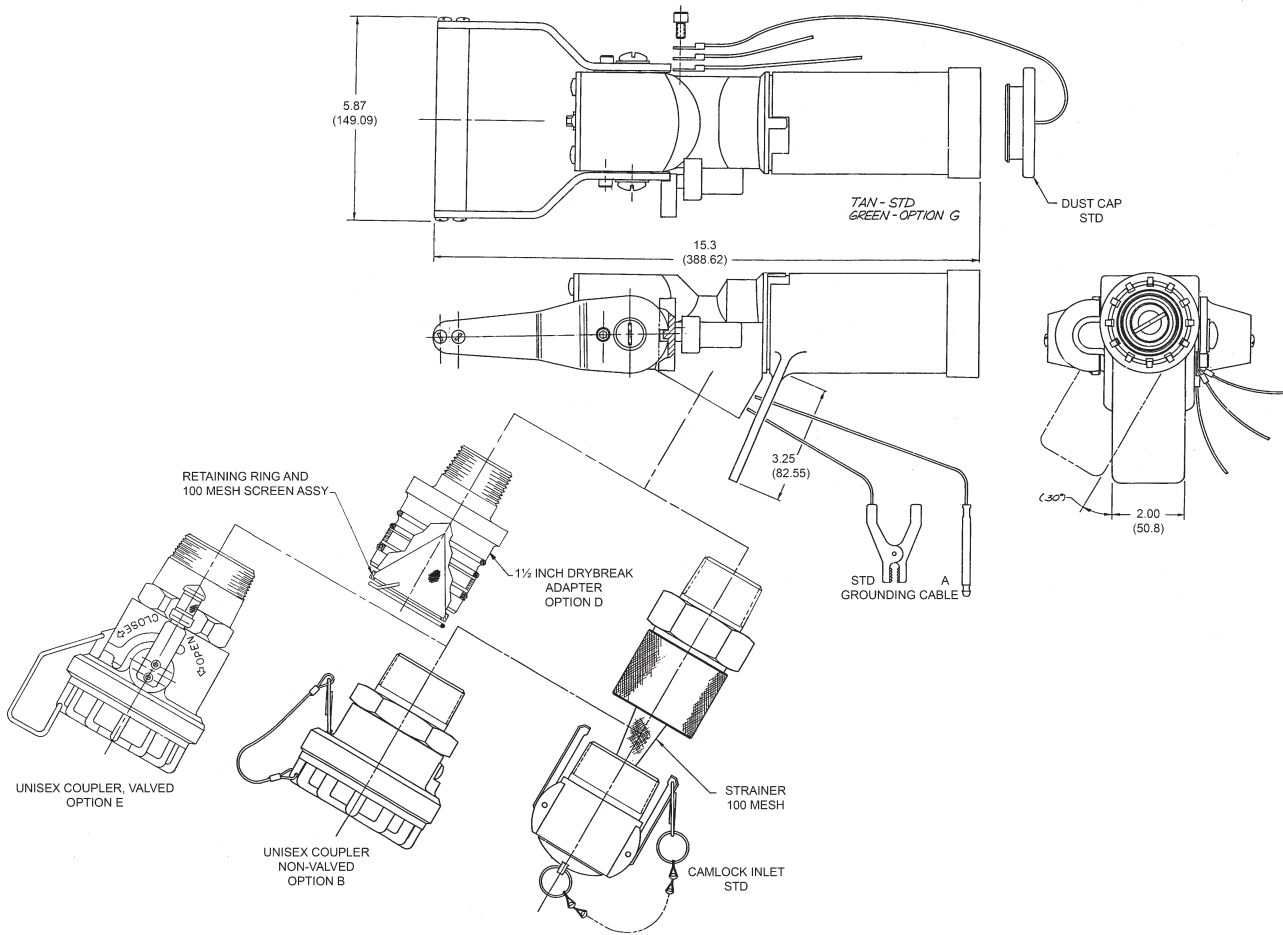
Option Letter	Description	Comments
A	Nozzle HIRF Closed Circuit Refueling, same as 64048 except inlet terminates in 1½ inch female NPT with bonding cable. (No inlet coupling or strainer)	Can not combine with B, C or D
B	Nozzle HIRF Closed Circuit Refueling. Includes 100-mesh screen housing, 2 inch unisex coupling (non-valved) in accordance with MIL-C-53071, color tan and 15 foot bonding cable	B option replaces camlock inlet fitting with unisex coupling (non-valved) in accordance with MIL-C-53071. Can not combine with A, C, D or Z
C	64048 nozzle HIRF with male camlock fitting - 2 inch female NPT inlet	Inlet is 2 inch NPT female pipe thread. Can not combine with A, B, C or Z
D	64048 nozzle HIRF with male adapter to mate 61154 female half for interchange with underwing nozzles. Includes 100-mesh strainer	For underwing nozzle interchange connection. Can not combine with A, B, C or Z
E	Nozzle HIRF Closed Circuit Refueling. Includes 100-mesh screen housing, 2 inch unisex coupling (valved) in accordance with MIL-C-53071, color tan and 15 foot bonding cable	E option replaces camlock inlet fitting with unisex coupling (valved) in accordance with MIL-C-53071. Can not combine with A, C, D or Z
G	Changes color to green when used with basic unit and options B, C or D	Use option G with basic part number or options B or C
Z	Nozzle HIRF Closed Circuit Refueling in accordance with MIL-N-52747, Type II, Class A, or MIL-N-53094. Includes 100-mesh screen housing terminating in a 2 inch female camlock fitting with plug and 15 foot bonding cable.	Option Z can not be used with options A, B, F or G. Green exterior color is standard (not available in tan)

Examples:

64048BG Nozzle HIRF Closed Circuit Refueling nozzle, green color, with non-valved unisex coupling per MIL-C-53071 inlet, 100-mesh strainer and 15 foot bonding cable

Illustrated Options

Dimensions shown in inches
(millimeters)



**Eaton
Aerospace Group
Conveyance Systems Division
9650 Jeronimo Road
Irvine, California 92618
Phone: (949) 452 9500
Fax: (949) 452 9992**

Eaton
Aerospace Group
Conveyance Systems Division
90 Clary Connector
Eastanollee, Georgia 30538
Phone: (706) 779 3351
Fax: (706) 779 2638

Eaton
Aerospace Group
Conveyance Systems Division
300 South East Avenue
Jackson, Michigan 49203
Phone: (517) 787 8121
Fax: (517) 787 5758

Eaton
Aerospace Group
Conveyance Systems Division
11642 Old Baltimore Pike
Beltsville, Maryland 20705
Phone: (301) 937 4010
Fax: (301) 937 0134

Eaton
Aerospace Group
Conveyance Systems Division
15 Pioneer Ave.
Warwick, Rhode Island 02888
Phone: (401) 781 4700
Fax: (401) 785 4614

Eaton S. A.
Aerospace Group
Conveyance Systems Division
2 Rue Lavoisier BP 54 78310
Coignieres, France
Phone: (33) 130 69 30 00
Fax: (33) 130 69 30 56

Eaton Limited
Aerospace Group
Conveyance Systems Division
Broad Ground Road
Lakeside, Redditch
Worcestershire
B98 8YS
United Kingdom
Phone: (44) 1527 517555
Fax: (44) 1527 517556

Eaton S.A
Aerospace Group
Conveyance Systems Division
62 Chemin De Pau
64121 Serres-Castet
France
Phone: (33) 559 333 864
Fax: (33) 559 333 865

Eaton GmbH
Aerospace Group
Conveyance Systems Division
Rudolf-Diesel-Strasse 8
82205 Gilching
Germany
Phone: 49 (0) 8105 7530
Fax: 49 (0) 8105 7555

Vickers Systems Pte Ltd
Aerospace Group
Conveyance Systems Division
Lot 512, Jalan Delima,
Batamindo Industrial Park
Batam 294533, Indonesia
Phone: (62) 770 611823
Fax: (62) 770 611821

Eaton
Aerospace Group
9650 Jeronimo Road
Irvine, California 92618
Phone: (949) 452 9500
Fax: (949) 452 9555
www.eaton.com/aerospace

©2009 Eaton
All Rights Reserved
Printed In USA
Form No. TF100-127
November 2009